

Engineering Red Line Attachment

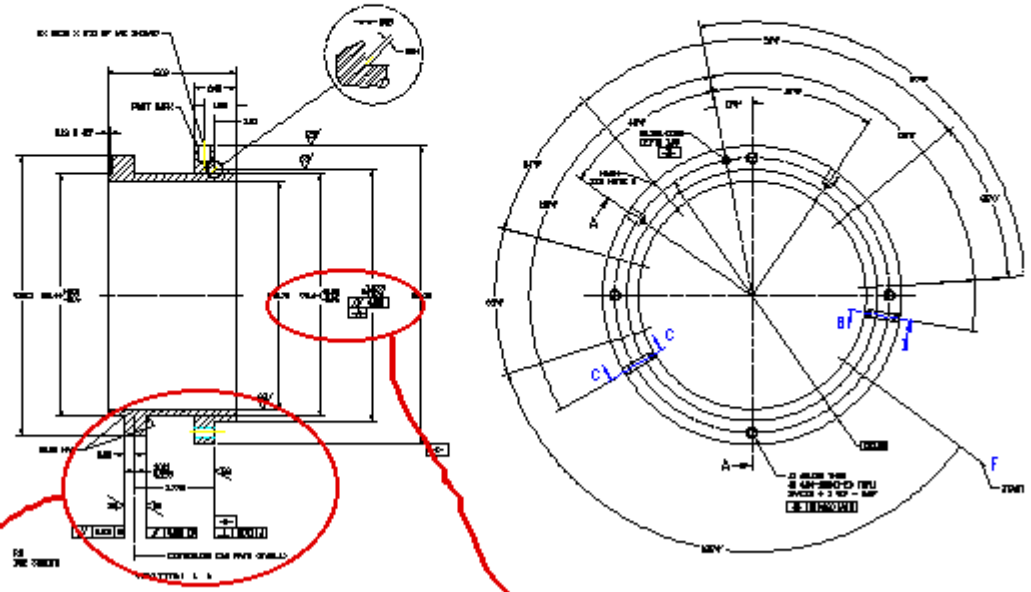
ECO # 103244

Part no.

Rev Title

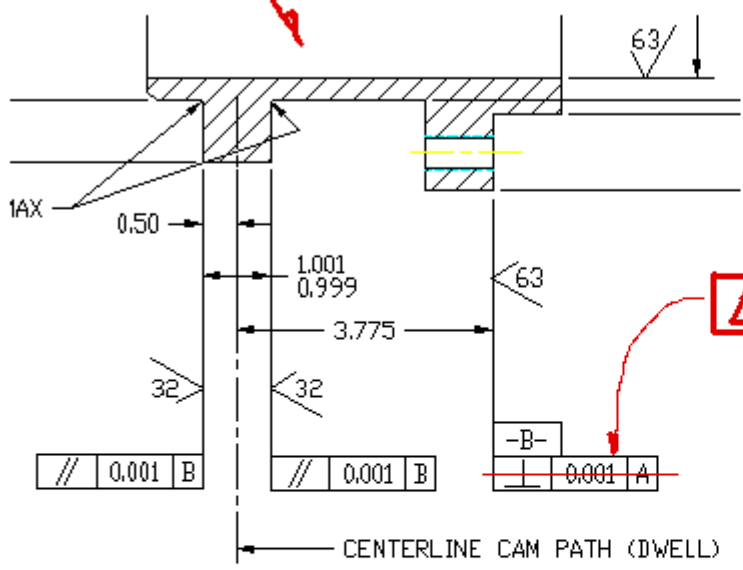
Comments

- 2753692 REV1 DELETE CYLINDRICITY DATUM A, ADD RUNOUT
- 2753700 REV1
- 2753701 REV1
- 8100243 REV3



ZONE C-3

DELETE FEATURE CONTROL FRAME, STILL DATUM -A-



ZONE C-2

0.002 A

